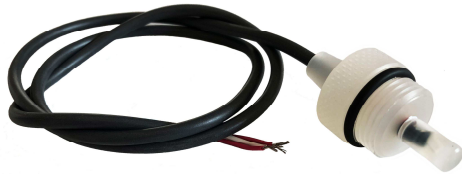
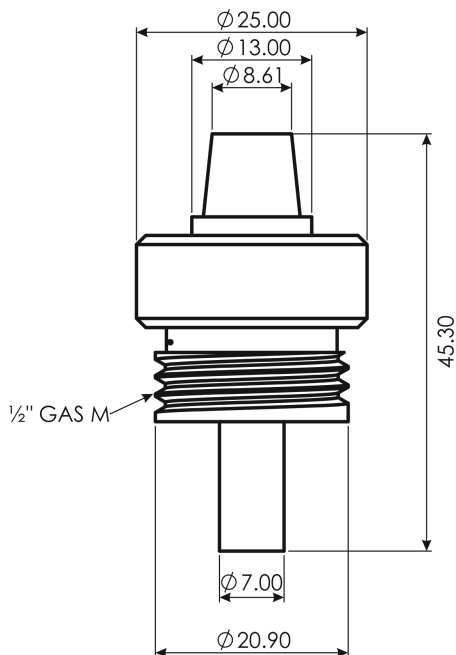


## PT101-CP TEMPERATURE PROBES



Temperature probes with PT100 sensor and threaded body for installation in probe-holders or in-line.  
Direct cable, available in various lengths.  
High level of accuracy and reliability.

Sensor	PT100
Materials	white PP body, FPM O-ring
Threaded body	½" GAS M
Installation	in probe-holders of SD and CLE series, or directly in-line
Working temperature	max 90 °C (for 20 minutes), max 75 °C (continuous operation)
Cable	fixed, 3-wire, available in various lengths



*Note: all dimensions are in mm.*

Probe	Description	Part No.
PT101-CP1	PT100 probe with threaded body and 0.75 m cable	80390013
PT101-CP2	PT100 probe with threaded body and 1.5 m cable	80390014
PT101-CP3	PT100 probe with threaded body and 2.5 m cable	80390015