

# TMX Multifunctional Scale

Speed and precision of weighing process and numerous functions and applications in vast range of industrial applications



TMX15R.K



Hermetic stainless steel housing



Terminal PUE 5.15R indicator with 15.6" colour touch panel



Terminal PUE 5.19R indicator with 19" colour touch panel

## Functions

- Parts counting
- Dosing
- Transactions
- Alibi memory
- Replaceable units
- Checkweighing
- Formulations
- Labelling
- Databases
- Multilingual menu

## Features

### Precise Weighing Results in Industrial Conditions

Advanced TMX multifunctional scale enables fast and precise mass measurements in industrial conditions.

### Reliability and Safety

Robust scale made of powder-coated steel allows to weight different types of loads, ensuring durability and endurance in everyday use.

### Vast Range of Applications

Numerous functions and applications of TMX scale enable carrying out parts counting, formulations, dosing and labelling. Integrated developer tools allows the user to create custom applications.

### Cooperation with PUE 5 Indicator

The scale can be operated via advanced PUE 5 indicator with a hermetic stainless steel housing. The terminal operating in Windows system combines the functionality of industrial PC and features of weighing indicator.

### Uncomplicated Operation and Clear Presentation of Indications

15.6" or 19" (depending on the model) large, colour touch panel ensures excellent readability and comfortable operation. Clear menu and intuitive information arrangement on the display guarantees uncomplicated and user-friendly performance.

### Numerous Options of Data Management

The device memory allows to save data to complex databases (products, tares, operators, etc.). This enables fast searching for the product using barcode scanner.

### Ergonomics and Comfort of Operation

Three types of touch panel (resistive, capacitive or infrared) allow user to customize the device in accordance with needs and requirements at the workstation.

## Technical Specifications

	TMX15R.6.F1.K* TMX15IR.6.F1.K* TMX15C.6.F1.K*	TMX15R.15.F1.K* TMX15IR.15.F1.K* TMX15C.15.F1.K*	TMX15R.30.F1.K* TMX15IR.30.F1.K* TMX15C.30.F1.K*
Maximum capacity [Max]	6 kg	15 kg	30 kg
Minimum capacity	20 g	50 g	100 g
Readability [d]	2 g	5 g	10 g
Max readability for non-verified scale	0.2 g	1 g	1 g
Verification unit [e]	2 g	5 g	10 g
Tare range	-6 kg	-15 kg	-30 kg
Verification	Yes	Yes	Yes
OIML class	III	III	III
Platform material	St3S powder-coated steel	St3S powder-coated steel	St3S powder-coated steel
Weighing pan material	AISI304 stainless steel	AISI304 stainless steel	AISI304 stainless steel
Indicator fastening	1 m cable	1 m cable	1 m cable
Display	LCD 15.6" (resistive touch panel)	LCD 15.6" (resistive touch panel)	LCD 15.6" (resistive touch panel)
Keyboard	on-screen	on-screen	on-screen
Indicator	PUE 5.15R** PUE 5.15IR (option)*** PUE 5.15C (option)****	PUE 5.15R** PUE 5.15IR (option)*** PUE 5.15C (option)****	PUE 5.15R** PUE 5.15IR (option)*** PUE 5.15C (option)****
Ingress protection - platform	IP 65	IP 65	IP 65
Ingress protection - indicator	PUE 5.15R – IP 68, PUE 5.15IR – IP 68 PUE 5.15C – IP 68	PUE 5.15R – IP 68, PUE 5.15IR – IP 68, PUE 5.15C – IP 68	PUE 5.15R – IP 68, PUE 5.15IR – IP 68, PUE 5.15C – IP 68
Additional weighing platform module	3	3	3
USB-A	4	4	4
RS 232	2 (3)*****	2 (3)*****	2 (3)*****
Ethernet	2	2	2
IN/OUT*****	4 × IN, 4 × OUT	4 × IN, 4 × OUT	4 × IN, 4 × OUT
PROFIBUS module*****	DP SLAVE	DP SLAVE	DP SLAVE
RS 485	1	1	1
Power supply	100 ÷ 240 V AC 50 ÷ 60 Hz	100 ÷ 240 V AC 50 ÷ 60 Hz	100 ÷ 240 V AC 50 ÷ 60 Hz
Power consumption	45 W	45 W	45 W
Operating temperature	+10 ÷ +40 °C	+10 ÷ +40 °C	+10 ÷ +40 °C
Relative humidity *****	10 ÷ 85%	10 ÷ 85%	10 ÷ 85%
Transport and storage temperature	-10 ÷ +50 °C	-10 ÷ +50 °C	-10 ÷ +50 °C
Weighing pan dimensions	300 × 300 mm	300 × 300 mm	300 × 300 mm
Indicator dimensions	490 × 310 × 200 mm	490 × 310 × 200 mm	490 × 310 × 200 mm
Net weight	15 kg	15 kg	15 kg
Gross weight	17 kg	17 kg	17 kg
Platform packaging dimensions	570 × 390 × 170 mm	570 × 390 × 170 mm	570 × 390 × 170 mm
Indicator packaging dimensions	560 × 360 × 240 mm	560 × 360 × 240 mm	560 × 360 × 240 mm

\* option: dual range weighing instrument

\*\* PUE 5.15R: LCD 15.6" (1366 x 768) resistive touch panel

\*\*\* PUE 5.15IR: LCD 15.6" (1366 x 768) infrared touch panel

\*\*\*\* PUE 5.15C: LCD 15.6" (1366 x 768) capacitive touch panel

\*\*\*\*\* optional indicator design

\*\*\*\*\* non-condensing conditions

	TMX15R.30.C2.K* TMX15IR.30.C2.K* TMX15C.30.C2.K*	TMX15R.60.C2.K* TMX15IR.60.C2.K* TMX15C.60.C2.K*	TMX15R.150.C2.K* TMX15IR.150.C2.K* TMX15C.150.C2.K*
Maximum capacity [Max]	30 kg	60 kg	150 kg
Minimum capacity	100 g	200 g	500 g
Readability [d]	10 g	20 g	50 g
Max readability for non-verified scale	1 g	2 g	5 g
Verification unit [e]	10 g	20 g	50 g
Tare range	-30 kg	-60 kg	-150 kg
Verification	Yes	Yes	Yes
OIML class	III	III	III
Platform material	St3S powder-coated steel	St3S powder-coated steel	St3S powder-coated steel
Weighing pan material	AISI304 stainless steel	AISI304 stainless steel	AISI304 stainless steel
Indicator fastening	2,5 m cable	2,5 m cable	2,5 m cable
Display	LCD 15.6" (resistive touch panel)	LCD 15.6" (resistive touch panel)	LCD 15.6" (resistive touch panel)
Keyboard	on-screen	on-screen	on-screen
Indicator	PUE 5.15R** PUE 5.15IR (option)*** PUE 5.15C (option)****	PUE 5.15R** PUE 5.15IR (option)*** PUE 5.15C (option)****	PUE 5.15R** PUE 5.15IR (option)*** PUE 5.15C (option)****
Ingress protection - platform	IP 65	IP 65	IP 65
Ingress protection - indicator	PUE 5.15R – IP 68, PUE 5.15IR – IP 68 PUE 5.15C – IP 68	PUE 5.15R – IP 68, PUE 5.15IR – IP 68, PUE 5.15C – IP 68	PUE 5.15R – IP 68, PUE 5.15IR – IP 68, PUE 5.15C – IP 68
Additional weighing platform module	3	3	3
USB-A	4	4	4
RS 232	2 (3)*****	2 (3)*****	2 (3)*****
Ethernet	2	2	2
IN/OUT*****	4 × IN, 4 × OUT	4 × IN, 4 × OUT	4 × IN, 4 × OUT
PROFIBUS module*****	DP SLAVE	DP SLAVE	DP SLAVE
RS 485	1	1	1
Power supply	100 ÷ 240 V AC 50 ÷ 60 Hz	100 ÷ 240 V AC 50 ÷ 60 Hz	100 ÷ 240 V AC 50 ÷ 60 Hz
Power consumption	45 W	45 W	45 W
Operating temperature	+10 ÷ +40 °C	+10 ÷ +40 °C	+10 ÷ +40 °C
Relative humidity *****	10 ÷ 85%	10 ÷ 85%	10 ÷ 85%
Transport and storage temperature	-10 ÷ +50 °C	-10 ÷ +50 °C	-10 ÷ +50 °C
Weighing pan dimensions	400 × 500 mm	400 × 500 mm	400 × 500 mm
Indicator dimensions	490 × 310 × 200 mm	490 × 310 × 200 mm	490 × 310 × 200 mm
Net weight	21 kg	21 kg	21 kg
Gross weight	24 kg	24 kg	24 kg
Platform packaging dimensions	720 × 620 × 210 mm	720 × 620 × 210 mm	720 × 620 × 210 mm
Indicator packaging dimensions	560 × 360 × 240 mm	560 × 360 × 240 mm	560 × 360 × 240 mm

\* option: dual range weighing instrument

\*\* PUE 5.15R: LCD 15.6" (1366 x 768) resistive touch panel

\*\*\* PUE 5.15IR: LCD 15.6" (1366 x 768) infrared touch panel

\*\*\*\* PUE 5.15C: LCD 15.6" (1366 x 768) capacitive touch panel

\*\*\*\*\* optional indicator design

\*\*\*\*\* non-condensing conditions

	TMX15R.300.C2.K* TMX15IR.300.C2.K* TMX15C.300.C2.K*	TMX15R.150.C3.K* TMX15IR.150.C3.K* TMX15C.150.C3.K*	TMX15R.300.C3.K* TMX15IR.300.C3.K* TMX15C.300.C3.K*
Maximum capacity [Max]	300 kg	150 kg	300 kg
Minimum capacity	100 g	500 g	1000 g
Readability [d]	100 g	50 g	100 g
Max readability for non-verified scale	10 g	5 g	10 g
Verification unit [e]	100 g	50 g	100 g
Tare range	-300 kg	-150 kg	-300 kg
Verification	Yes	Yes	Yes
OIML class	III	III	III
Platform material	St3S powder-coated steel	St3S powder-coated steel	St3S powder-coated steel
Weighing pan material	AISI304 stainless steel	AISI304 stainless steel	AISI304 stainless steel
Indicator fastening	2,5 m cable	2,5 m cable	2,5 m cable
Display	LCD 15.6" (resistive touch panel)	LCD 15.6" (resistive touch panel)	LCD 15.6" (resistive touch panel)
Keyboard	on-screen	on-screen	on-screen
Indicator	PUE 5.15R** PUE 5.15IR (option)*** PUE 5.15C (option)****	PUE 5.15R** PUE 5.15IR (option)*** PUE 5.15C (option)****	PUE 5.15R** PUE 5.15IR (option)*** PUE 5.15C (option)****
Ingress protection - platform	IP 65	IP 65	IP 65
Ingress protection - indicator	PUE 5.15R – IP 68, PUE 5.15IR – IP 68 PUE 5.15C – IP 68	PUE 5.15R – IP 68, PUE 5.15IR – IP 68, PUE 5.15C – IP 68	PUE 5.15R – IP 68, PUE 5.15IR – IP 68, PUE 5.15C – IP 68
Additional weighing platform module	3	3	3
USB-A	4	4	4
RS 232	2 (3)*****	2 (3)*****	2 (3)*****
Ethernet	2	2	2
IN/OUT*****	4 × IN, 4 × OUT	4 × IN, 4 × OUT	4 × IN, 4 × OUT
PROFIBUS module*****	DP SLAVE	DP SLAVE	DP SLAVE
RS 485	1	1	1
Power supply	100 ÷ 240 V AC 50 ÷ 60 Hz	100 ÷ 240 V AC 50 ÷ 60 Hz	100 ÷ 240 V AC 50 ÷ 60 Hz
Power consumption	45 W	45 W	45 W
Operating temperature	+10 ÷ +40 °C	+10 ÷ +40 °C	+10 ÷ +40 °C
Relative humidity *****	10 ÷ 85%	10 ÷ 85%	10 ÷ 85%
Transport and storage temperature	-10 ÷ +50 °C	-10 ÷ +50 °C	-10 ÷ +50 °C
Weighing pan dimensions	400 × 500 mm	700 × 500 mm	700 × 500 mm
Indicator dimensions	490 × 310 × 200 mm	490 × 310 × 200 mm	490 × 310 × 200 mm
Net weight	21 kg	32 kg	32 kg
Gross weight	24 kg	37 kg	37 kg
Platform packaging dimensions	720 × 620 × 210 mm	850 × 800 × 270 mm	850 × 800 × 270 mm
Indicator packaging dimensions	560 × 360 × 240 mm	560 × 360 × 240 mm	560 × 360 × 240 mm

\* option: dual range weighing instrument

\*\* PUE 5.15R: LCD 15.6" (1366 x 768) resistive touch panel

\*\*\* PUE 5.15IR: LCD 15.6" (1366 x 768) infrared touch panel

\*\*\*\* PUE 5.15C: LCD 15.6" (1366 x 768) capacitive touch panel

\*\*\*\*\* optional indicator design

\*\*\*\*\* non-condensing conditions

	TMX19R.6.F1.K* TMX19IR.6.F1.K* TMX19C.6.F1.K*	TMX19R.15.F1.K* TMX19IR.15.F1.K* TMX19C.15.F1.K*	TMX19R.30.F1.K* TMX19IR.30.F1.K* TMX19C.30.F1.K*
Maximum capacity [Max]	6 kg	15 kg	30 kg
Minimum capacity	20 g	50 g	100 g
Readability [d]	2 g	5 g	10 g
Max readability for non-verified scale	0.2 g	1 g	1 g
Verification unit [e]	2 g	5 g	10 g
Tare range	-6 kg	-15 kg	-30 kg
Verification	Yes	Yes	Yes
OIML class	III	III	III
Platform material	St3S powder-coated steel	St3S powder-coated steel	St3S powder-coated steel
Weighing pan material	AISI304 stainless steel	AISI304 stainless steel	AISI304 stainless steel
Indicator fastening	1 m cable	1 m cable	1 m cable
Display	LCD 19" (resistive touch panel)	LCD 19" (resistive touch panel)	LCD 19" (resistive touch panel)
Keyboard	on-screen	on-screen	on-screen
Indicator	PUE 5.19R** PUE 5.19IR (option)*** PUE 5.19C (option)****	PUE 5.19R** PUE 5.19IR (option)*** PUE 5.19C (option)****	PUE 5.19R** PUE 5.19IR (option)*** PUE 5.19C (option)****
Ingress protection - platform	IP 65	IP 65	IP 65
Ingress protection - indicator	PUE 5.19R – IP 68, PUE 5.19IR – IP 68 PUE 5.19C – IP 68	PUE 5.19R – IP 68, PUE 5.19IR – IP 68, PUE 5.19C – IP 68	PUE 5.19R – IP 68, PUE 5.19IR – IP 68, PUE 5.19C – IP 68
Additional weighing platform module	3	3	3
USB-A	4	4	4
RS 232	2 (3)*****	2 (3)*****	2 (3)*****
Ethernet	2	2	2
IN/OUT*****	4 × IN, 4 × OUT	4 × IN, 4 × OUT	4 × IN, 4 × OUT
PROFIBUS module*****	DP SLAVE	DP SLAVE	DP SLAVE
RS 485	1	1	1
Power supply	100 ÷ 240 V AC 50 ÷ 60 Hz	100 ÷ 240 V AC 50 ÷ 60 Hz	100 ÷ 240 V AC 50 ÷ 60 Hz
Power consumption	45 W	45 W	45 W
Operating temperature	+10 ÷ +40 °C	+10 ÷ +40 °C	+10 ÷ +40 °C
Relative humidity *****	10 ÷ 85%	10 ÷ 85%	10 ÷ 85%
Transport and storage temperature	-10 ÷ +50 °C	-10 ÷ +50 °C	-10 ÷ +50 °C
Weighing pan dimensions	300 × 300 mm	300 × 300 mm	300 × 300 mm
Indicator dimensions	524 × 420 × 200 mm	524 × 420 × 200 mm	524 × 420 × 200 mm
Net weight	19 kg	19 kg	19 kg
Gross weight	21 kg	21 kg	21 kg
Platform packaging dimensions	570 × 390 × 170 mm	570 × 390 × 170 mm	570 × 390 × 170 mm
Indicator packaging dimensions	590 × 470 × 240 mm	590 × 470 × 240 mm	590 × 470 × 240 mm

\* option: dual range weighing instrument

\*\* PUE 5.19R: LCD 19" (1280 x 1024) resistive touch panel

\*\*\* PUE 5.19IR: LCD 19" (1280 x 1024) infrared touch panel

\*\*\*\* PUE 5.19C: LCD 19" (1280 x 1024) capacitive touch panel

\*\*\*\*\* optional indicator design

\*\*\*\*\* non-condensing conditions

	TMX19R.30.C2.K* TMX19IR.30.C2.K* TMX19C.30.C2.K*	TMX19R.60.C2.K* TMX19IR.60.C2.K* TMX19C.60.C2.K*	TMX19R.150.C2.K* TMX19IR.150.C2.K* TMX19C.150.C2.K*
Maximum capacity [Max]	30 kg	60 kg	150 kg
Minimum capacity	100 g	200 g	500 g
Readability [d]	10 g	20 g	50 g
Max readability for non-verified scale	1 g	2 g	5 g
Verification unit [e]	10 g	20 g	50 g
Tare range	-30 kg	-60 kg	-150 kg
Verification	Yes	Yes	Yes
OIML class	III	III	III
Platform material	St3S powder-coated steel	St3S powder-coated steel	St3S powder-coated steel
Weighing pan material	AISI304 stainless steel	AISI304 stainless steel	AISI304 stainless steel
Indicator fastening	2,5 m cable	2,5 m cable	2,5 m cable
Display	LCD 19" (resistive touch panel)	LCD 19" (resistive touch panel)	LCD 19" (resistive touch panel)
Keyboard	on-screen	on-screen	on-screen
Indicator	PUE 5.19R** PUE 5.19IR (option)*** PUE 5.19C (option)****	PUE 5.19R** PUE 5.19IR (option)*** PUE 5.19C (option)****	PUE 5.19R** PUE 5.19IR (option)*** PUE 5.19C (option)****
Ingress protection - platform	IP 65	IP 65	IP 65
Ingress protection - indicator	PUE 5.19R – IP 68, PUE 5.19IR – IP 68 PUE 5.19C – IP 68	PUE 5.19R – IP 68, PUE 5.19IR – IP 68, PUE 5.19C – IP 68	PUE 5.19R – IP 68, PUE 5.19IR – IP 68, PUE 5.19C – IP 68
Additional weighing platform module	3	3	3
USB-A	4	4	4
RS 232	2 (3)*****	2 (3)*****	2 (3)*****
Ethernet	2	2	2
IN/OUT*****	4 × IN, 4 × OUT	4 × IN, 4 × OUT	4 × IN, 4 × OUT
PROFIBUS module*****	DP SLAVE	DP SLAVE	DP SLAVE
RS 485	1	1	1
Power supply	100 ÷ 240 V AC 50 ÷ 60 Hz	100 ÷ 240 V AC 50 ÷ 60 Hz	100 ÷ 240 V AC 50 ÷ 60 Hz
Power consumption	45 W	45 W	45 W
Operating temperature	+10 ÷ +40 °C	+10 ÷ +40 °C	+10 ÷ +40 °C
Relative humidity *****	10 ÷ 85%	10 ÷ 85%	10 ÷ 85%
Transport and storage temperature	-10 ÷ +50 °C	-10 ÷ +50 °C	-10 ÷ +50 °C
Weighing pan dimensions	400 × 500 mm	400 × 500 mm	400 × 500 mm
Indicator dimensions	524 × 420 × 200 mm	524 × 420 × 200 mm	524 × 420 × 200 mm
Net weight	24 kg	24 kg	24 kg
Gross weight	28 kg	28 kg	28 kg
Platform packaging dimensions	720 × 620 × 210 mm	720 × 620 × 210 mm	720 × 620 × 210 mm
Indicator packaging dimensions	590 × 470 × 240 mm	590 × 470 × 240 mm	590 × 470 × 240 mm

\* option: dual range weighing instrument

\*\* PUE 5.19R: LCD 19" (1280 x 1024) resistive touch panel

\*\*\* PUE 5.19IR: LCD 19" (1280 x 1024) infrared touch panel

\*\*\*\* PUE 5.19C: LCD 19" (1280 x 1024) capacitive touch panel

\*\*\*\*\* optional indicator design

\*\*\*\*\* non-condensing conditions

	TMX19R.300.C2.K* TMX19IR.300.C2.K* TMX19C.300.C2.K*	TMX19R.150.C3.K* TMX19IR.150.C3.K* TMX19C.150.C3.K*	TMX19R.300.C3.K* TMX19IR.300.C3.K* TMX19C.300.C3.K*
Maximum capacity [Max]	300 kg	150 kg	300 kg
Minimum capacity	100 g	500 g	1000 g
Readability [d]	100 g	50 g	100 g
Max readability for non-verified scale	10 g	5 g	10 g
Verification unit [e]	100 g	50 g	100 g
Tare range	-300 kg	-150 kg	-300 kg
Verification	Yes	Yes	Yes
OIML class	III	III	III
Platform material	St3S powder-coated steel	St3S powder-coated steel	St3S powder-coated steel
Weighing pan material	AISI304 stainless steel	AISI304 stainless steel	AISI304 stainless steel
Indicator fastening	2,5 m cable	2,5 m cable	2,5 m cable
Display	LCD 19" (resistive touch panel)	LCD 19" (resistive touch panel)	LCD 19" (resistive touch panel)
Keyboard	on-screen	on-screen	on-screen
Indicator	PUE 5.19R** PUE 5.19IR (option)*** PUE 5.19C (option)****	PUE 5.19R** PUE 5.19IR (option)*** PUE 5.19C (option)****	PUE 5.19R** PUE 5.19IR (option)*** PUE 5.19C (option)****
Ingress protection - platform	IP 65	IP 65	IP 65
Ingress protection - indicator	PUE 5.19R – IP 68, PUE 5.19IR – IP 68 PUE 5.19C – IP 68	PUE 5.19R – IP 68, PUE 5.19IR – IP 68, PUE 5.19C – IP 68	PUE 5.19R – IP 68, PUE 5.19IR – IP 68, PUE 5.19C – IP 68
Additional weighing platform module	3	3	3
USB-A	4	4	4
RS 232	2 (3)*****	2 (3)*****	2 (3)*****
Ethernet	2	2	2
IN/OUT*****	4 × IN, 4 × OUT	4 × IN, 4 × OUT	4 × IN, 4 × OUT
PROFIBUS module*****	DP SLAVE	DP SLAVE	DP SLAVE
RS 485	1	1	1
Power supply	100 ÷ 240 V AC 50 ÷ 60 Hz	100 ÷ 240 V AC 50 ÷ 60 Hz	100 ÷ 240 V AC 50 ÷ 60 Hz
Power consumption	45 W	45 W	45 W
Operating temperature	+10 ÷ +40 °C	+10 ÷ +40 °C	+10 ÷ +40 °C
Relative humidity *****	10 ÷ 85%	10 ÷ 85%	10 ÷ 85%
Transport and storage temperature	-10 ÷ +50 °C	-10 ÷ +50 °C	-10 ÷ +50 °C
Weighing pan dimensions	400 × 500 mm	500 × 700 mm	500 × 700 mm
Indicator dimensions	524 × 420 × 200 mm	524 × 420 × 200 mm	524 × 420 × 200 mm
Net weight	24 kg	35 kg	35 kg
Gross weight	28 kg	41 kg	41 kg
Platform packaging dimensions	720 × 620 × 210 mm	850 × 800 × 270 mm	850 × 800 × 270 mm
Indicator packaging dimensions	590 × 470 × 240 mm	590 × 470 × 240 mm	590 × 470 × 240 mm

\* option: dual range weighing instrument

\*\* PUE 5.19R: LCD 19" (1280 x 1024) resistive touch panel

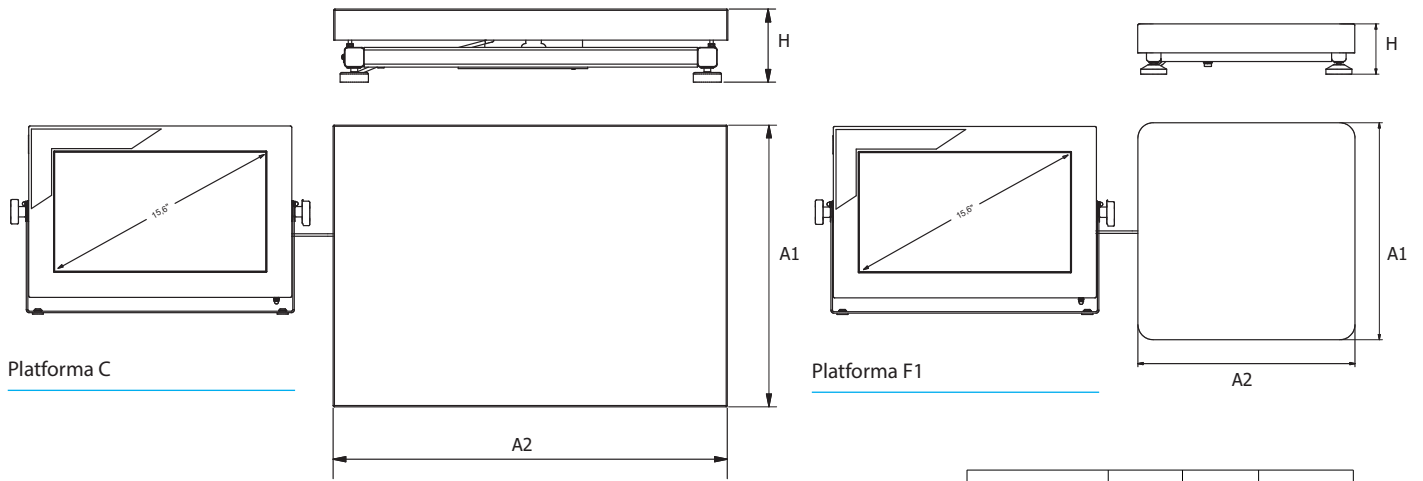
\*\*\* PUE 5.19IR: LCD 19" (1280 x 1024) infrared touch panel

\*\*\*\* PUE 5.19C: LCD 19" (1280 x 1024) capacitive touch panel

\*\*\*\*\* optional indicator design

\*\*\*\*\* non-condensing conditions

# Dimensions

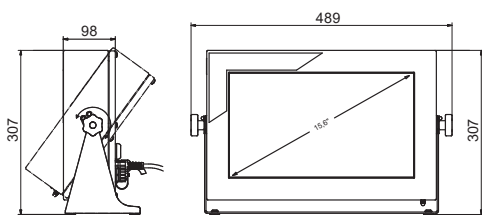


Platforma C

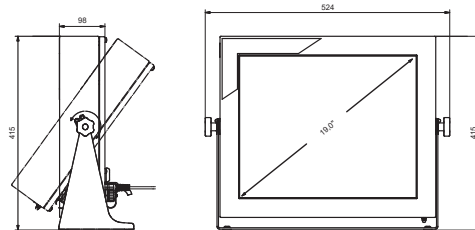
Platforma F1

Scale type	A1	A2	H
TMX C2.K	400	500	103 ±3
TMX C3.K	500	700	130 ±3
TMX.F1.K	300	300	70 ±3

dimensions in mm



PUE 5.15



PUE 5.19



## Accessories\*

---

### Peripheral Devices

- Epson dot matrix printer
- Zebra labellers
- WWG-2/4 large-size display
- LCD – WD-4/3 display (backlit)
- stack light
- control buttons
- transponder card scanner
- barcode scanner

### Cables, Converters

- PT0019 cable – (scale – Epson printer)
- USB – PT0087 cable (Epson printer)
- PT0022 – cable (scale - Zebra printer)
- PT0020 cable – (scale– computer)
- RS-232 – PT0326 cable (indicator– indicator)

- RS 232 – PT0348 cable (scale-HRP, MWSH, MWLH)
- Ethernet 0198 cable
- IN/OUT– PT0256 cable
- USB type A-B cable
- Ethernet cable

### Weighing Platforms

- 1 load cell platforms
- 4 load cell platforms
- high resolution platforms

### Remaining Accessories

- stands for indicators
- weighing tables

## Dedicated Software\*

---

### Label Editor R02

- designing label templates
- sending graphics and fonts to label printers
- printing label templates using connected printers

### E2R Weighings

- record of measurements carried out using the weighing indicators
- online monitoring of the production lines
- weighing thresholds control
- employees working time reporting

### E2R Formulations

- carrying out simple formulations
- support of an advanced formulations orders function
- warehouse management
- optional automatic dispensing and constant correction of the dispensing process
- control of an ingredient using the barcode scanner.

### E2R Weighing Records

- complete, automated databases synchronization
- fully supported processes of labelling and parts counting
- record of weighings, weighings archiving
- basic and advanced (with graphs) reports

### MWMH Manager

- option of adjustment of HRP platforms and MWSH, MWLH and MWMH modules,
- option of readout of mass from HRP platforms and modules using the computer,
- option of taring and zeroing HRP platforms and modules using the computer,
- option of determining HRP platforms and modules linearity,
- option of setting weighing filters for HRP platforms and modules.

\*functionality and accessories depend on software type